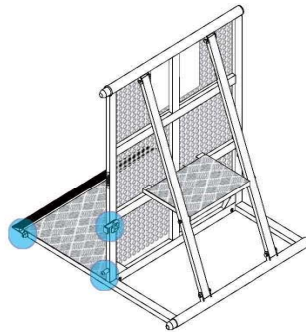


防暴栏 BARRLER
BAR-90 RE2 NEW



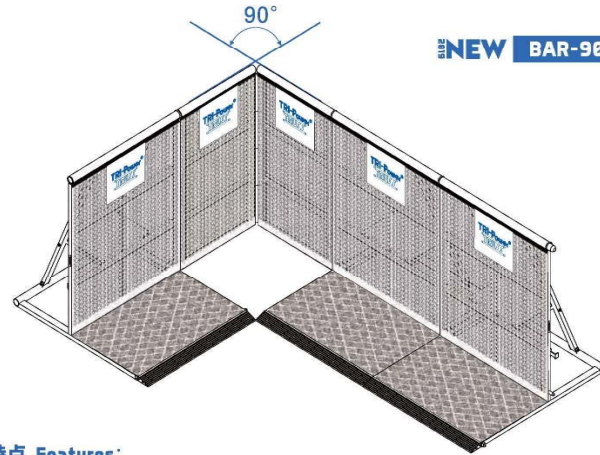
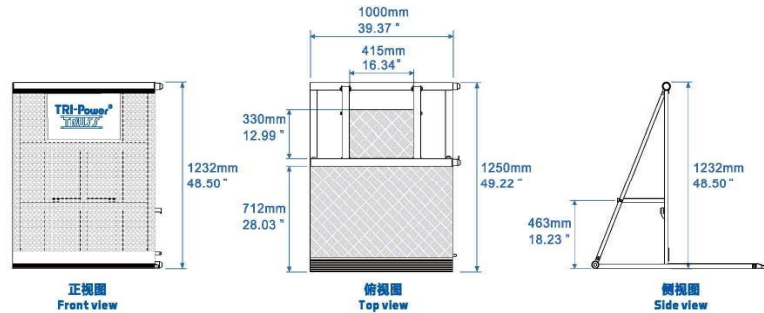
特点 Features:

- 可折叠模块式设计，便于运输与储存。
- 设计轻巧实用，带有防滑铝踏板。
- 安装快捷，美观坚固。
- 可根据客户要求定制
- 适用于各种活动及演唱会项目等。
- Foldable modular design, easy to transport and storage.
- Lightweight and practical design, with anti-slip aluminum pedal.
- Quick installation, firm in structure.
- Custom sizes available by requested.
- Suitable for any events and concerts uses.



1. 销钉加固 Pin to reinforce
2. 销钉加固 Pin to reinforce
3. 锁扣 lock

规格 Dimensions		
材质 Material	EN AW 6082 T6	EN AW 6082 T6
形状 Shape	折叠 Folding	折叠 Folding
储存尺寸 Storage volume	1020 x 1200 x 100 mm	40.16 x 50.39 x 3.94 in
自重 Weight	33 Kg/块	72.85 lbs / piece
灵活性 Flexibility	可折叠结构 Folding	
1 inch = 25.4 mm 1 m = 3.28 ft 1 lbs = 0.453kg		



NEW BAR-90-002 RE2

特点 Features:

- 可折叠模块式设计，便于运输与储存。
- 可 0°-270° 旋转
- 安装快捷，美观坚固。
- 可根据客户要求定制
- 适用于各种活动及演唱会项目等。
- Foldable modular design, easy to transport and storage.
- 0°-270° Rotation
- Quick installation, firm in structure.
- Custom sizes available by requested.
- Suitable for any events and concerts uses.

规格 Dimensions		
材质 Material	EN AW 6082 T6	EN AW 6082 T6
形状 Shape	折叠 Folding	折叠 Folding
储存尺寸 Storage volume	700 x 1200 x 100mm	27.56 x 47.24 x 3.94 in
自重 Weight	15 Kg/块	33.1 lbs / piece
灵活性 Flexibility	可 0°-270° 角度旋转	0°-270° Rotation
1 inch = 25.4 mm 1 m = 3.28 ft 1 lbs = 0.453kg		

