

**OPTICAL SYSTEM**

Light Source: 300w RGBW LED module (4 colors RGBW/ 5 colors RGBAM for option)  
 Life Span: ≥ 50000h  
 Lens: 26° (5°/10°/19°/36°/50°/15°-30°/25°-50° for option)  
 CRI: Ra>84

**ELECTRIC**

Power Supply: 100-240V~, 50/60Hz  
 Input Power: 310W  
 PF≥0.99

**ELECTRONIC CONTROL TECHNOLOGY**

Protocol: DMX512

Channel Mode: 5 / 6 / 6 / 7 / 8

Control Panel: LED screen + button

**DIMENSION AND WEIGHT**

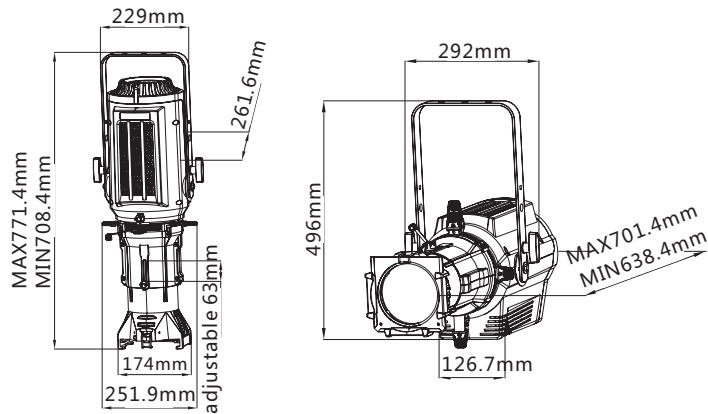
Fixture Dimension:  
 701mm x 292mm x 496mm  
 Package Dimension:  
 1265mm x 700mm x 505mm (4pcs / flight case)  
 Gross Weight: 104.4kg  
 780mm x 750mm x 515mm (2pcs /flight case)  
 Gross Weight: 62.4kg  
 Net Weight: 13kg (fixture)

**IP RATE**

IP 20



**● DIMENSION**



**● PHOTOMETRIC DIAGRAM**

