

**OPTICAL SYSTEM**

Light Source: R/G/B/A/L/C/DB Lumileds LED  
 Life Span: >50000h  
 Color Temperature: 2800K-10000K  
 CRI: Ra>93  
 R9>93

**ELECTRIC**

Input Power: 400W  
 PF > 0.96

**ELECTRONIC CONTROL TECHNOLOGY**

Protocol: DMX512  
 Channel Mode:  
 5(HSI)/7(HSIC)/5(RGB)/5(STDO)/9(DIRE)/1

6(DIRS)

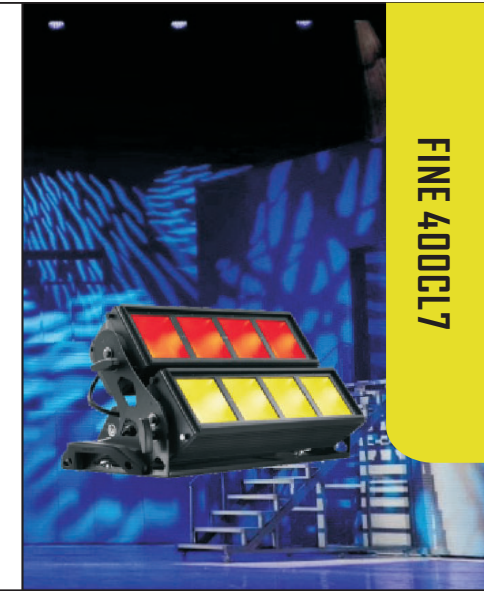
Control Panel: LED screen + button

**DIMENSION AND WEIGHT**

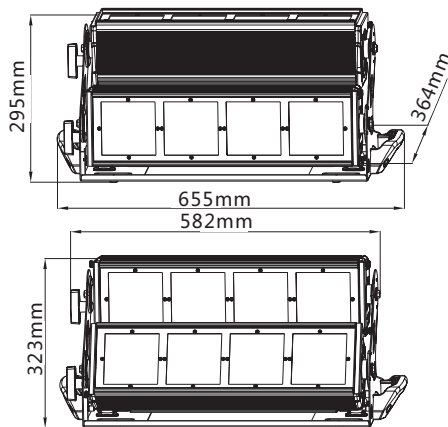
Fixture Dimension:  
 655mm x 364mm x 323mm  
 Package Dimension:  
 850mm x 737mm x 530mm (2pcs / flight case)  
 Gross Weight: 78.2kg  
 455mm x 405mm x 725mm (1pc / carton)  
 Gross Weight: 23.2kg  
 Net Weight: 18kg (fixture)

**IP RATE**

IP 20



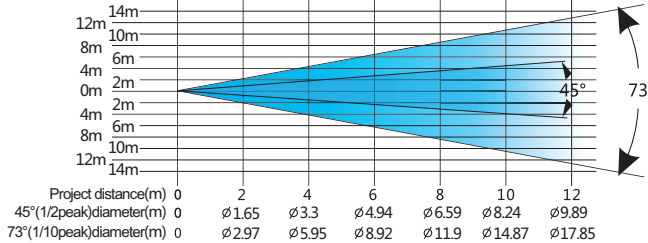
**● DIMENSION**



**● PHOTOMETRIC DIAGRAM**

**Pan**

R illuminance(Lux) 0	454	113	50	28	18	13
G illuminance(Lux) 0	761	190	85	48	30	21
B illuminance(Lux) 0	159	40	18	10	6	4
Lime illuminance(Lux) 0	1416	354	157	88	57	39
PC Amber illuminance(Lux) 0	615	154	68	38	25	17
Cyan illuminance(Lux) 0	399	100	44	25	16	11
Dark blue illuminance(Lux) 0	62	15	7	4	2	1
Mix white illuminance(Lux) 0	3815	954	424	238	153	106



**Tilt**

R illuminance(Lux) 0	454	113	50	28	18	13
G illuminance(Lux) 0	761	190	85	48	30	21
B illuminance(Lux) 0	159	40	18	10	6	4
Lime illuminance(Lux) 0	1416	354	157	88	57	39
PC Amber illuminance(Lux) 0	615	154	68	38	25	17
Cyan illuminance(Lux) 0	399	100	44	25	16	11
Dark blue illuminance(Lux) 0	62	15	7	4	2	1
Mix white illuminance(Lux) 0	3815	954	424	238	153	106

